

Damper actuator for operating air control dampers in ventilation and air-conditioning systems for building services installations

- For air dampers up to approx. 0.4 m²
- Torque 2 Nm
- Nominal voltage AC 100 ... 240 V
- Control: Open-close or 3-point



Type overview

| Type | Direction of rotation |
|---------|-----------------------------------|
| CM230-L | Y = 0 V left end stop position 0 |
| CM230-R | Y = 0 V right end stop position 0 |

Technical data

| | | |
|----------------------------|-----------------------------------------|---------------------------------------------------------------------------------------------------------------------------------|
| Electrical data | Nominal voltage | AC 100 ... 240 V, 50/60 Hz |
| | Nominal voltage range | AC 85 ... 265 V |
| | Power consumption | In operation 1.5 W @ nominal torque At rest 1 W For wire sizing 3 VA |
| | Connection | Cable 1 m, 3 x 0.75 mm ² |
| Functional data | Torque (nominal torque) | Min. 2 Nm @ nominal voltage |
| | Direction of rotation | See «Type overview» |
| | Manual override | Gear disengagement with magnet |
| | Angle of rotation | Without limit Endless With limit Fixed 315°↔ or 0 ... 287.5°↔ with mechanical end stops, can be adjusted in 2.5°↔ increments |
| | Running time | 75 s / 90°↔ |
| | Sound power level | Max. 35 dB (A) |
| | Position indicator | Mechanical, pluggable (with integrated magnet for gear disengagement) |
| Safety | Protection class | II totally insulated <input type="checkbox"/> |
| | Degree of protection | IP54 in any mounting position NEMA2, UL Enclosure Type 2 |
| | EMC | CE according to 2004/108/EC |
| | Low voltage directive | CE according to 2006/95/EC |
| | Certification | cULus according to UL 60730-1A and UL 60730-2-14 and CAN/CSA E60730-1:02 Certified to IEC/EN 60730-1 and IEC/EN 60730-2-14 |
| | Mode of operation | Type 1 (EN 60730-1) |
| | Rated impulse voltage | 2.5 kV (EN 60730-1) |
| | Control pollution degree | 3 (EN 60730-1) |
| | Ambient temperature | -30 ... +50 °C |
| | Non-operating temperature | -40 ... +80 °C |
| Ambient humidity | 95% r.H., non-condensating (EN 60730-1) | |
| Maintenance | Maintenance-free | |
| Dimensions / Weight | Dimensions | See «Dimensions» on page 2 |
| | Weight | Approx. 220 g |

Safety notes



- The actuator is not allowed to be used outside the specified field of application, especially in aircraft or any other form of air transport.
- Caution: Power supply voltage !
- Assembly must be carried out by trained personnel. Any legal regulations or regulations issued by authorities must be observed during assembly.
- The device may only be opened at the manufacturer's site. It does not contain any parts that can be replaced or repaired by the user.

Safety notes

(Continue)

- When calculating the required torque, the specifications supplied by the damper manufacturers (cross section, design, installation site), and the air flow conditions must be observed.
- The device contains electrical and electronic components and is not allowed to be disposed of as household refuse. All locally valid regulations and requirements must be observed.

Product features


- Simple direct mounting** Simple direct mounting on the damper spindle with a universal spindle clamp (\varnothing 6 ... 12.7 mm). The actuator is then secured with the anti-rotation strap supplied, to prevent it from rotating.
- Manual override** Manual override with magnet possible (the gear is disengaged as long as the magnet adheres to the symbol ⊕). The magnet for gear disengagement is integrated in the position indicator.
- Adjustable angle of rotation** Adjustable angle of rotation with mechanical end stops.
- High functional reliability** The actuator is overload-proof, requires no limit switches and automatically stops when the end stop is reached.

Electrical installation

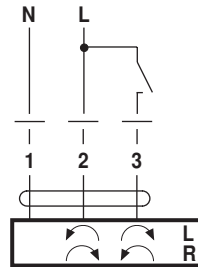
Wiring diagrams

Notes

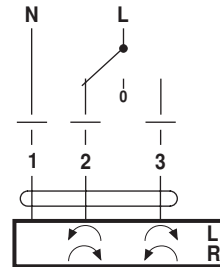
- Caution: Power supply voltage !
- Other actuators can be connected in parallel. Please note the performance data.



Open-close control

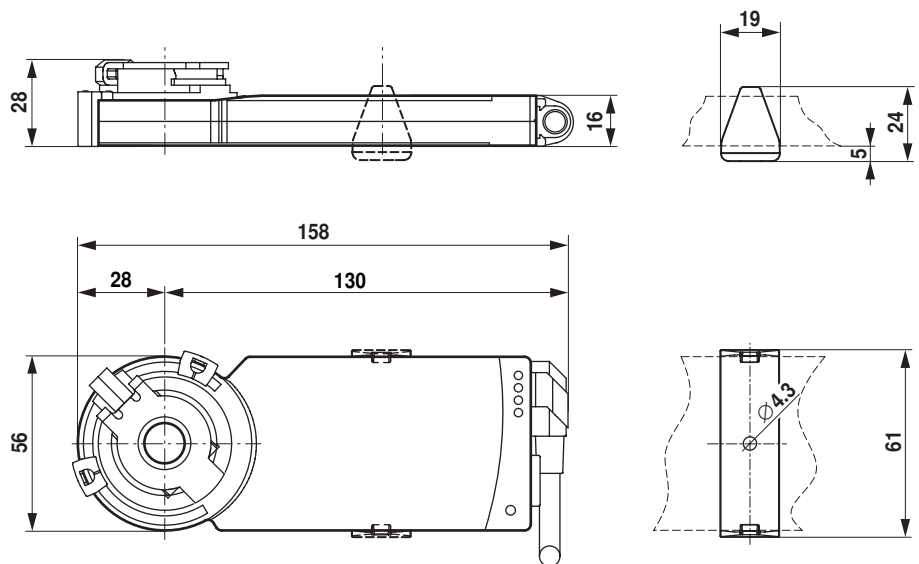



3-point control



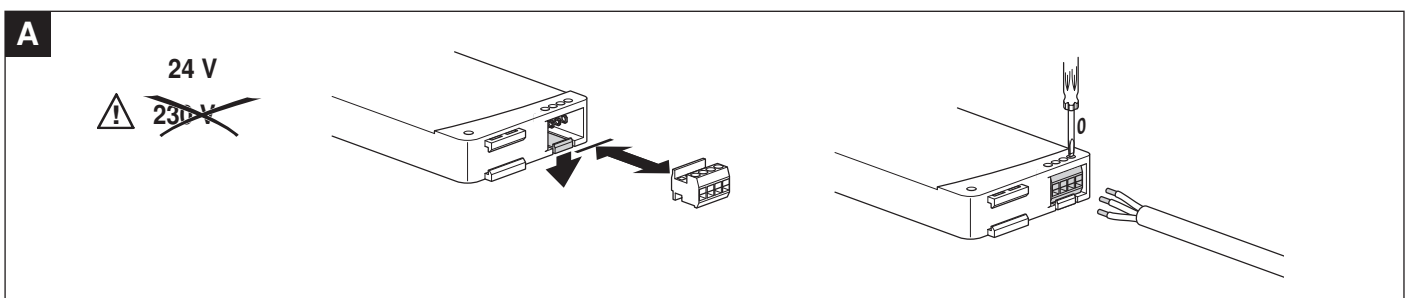
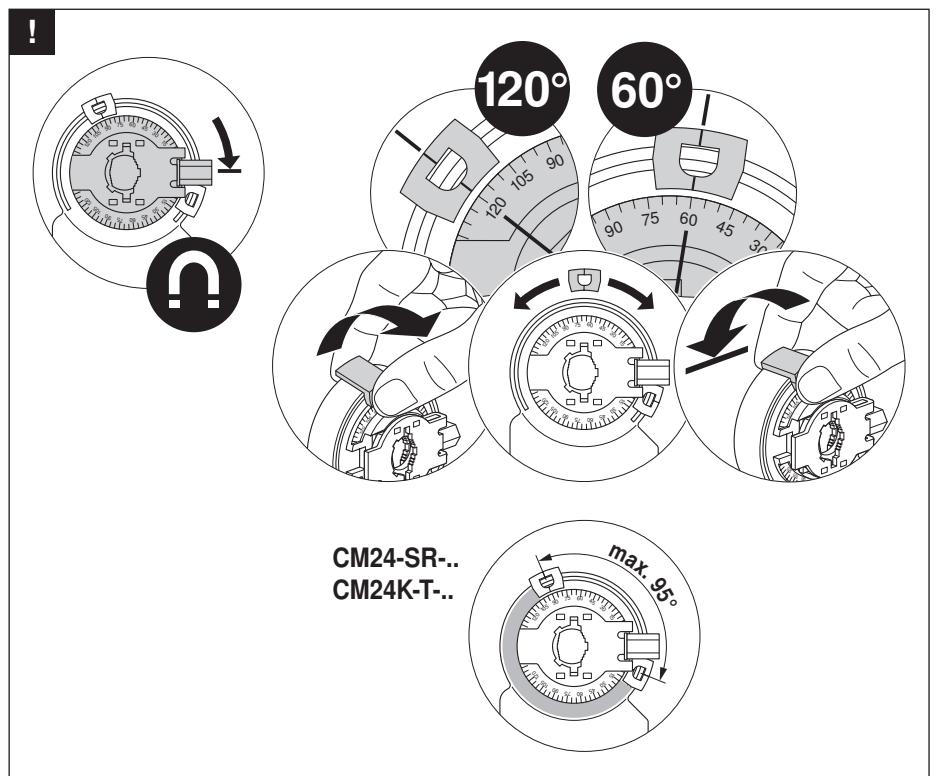
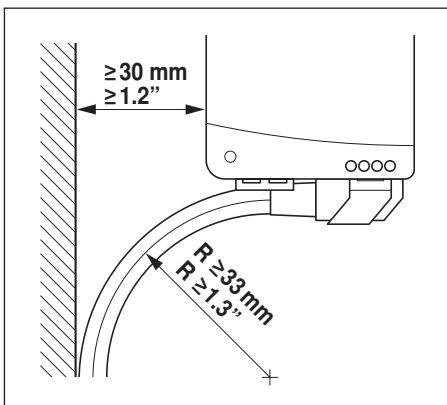
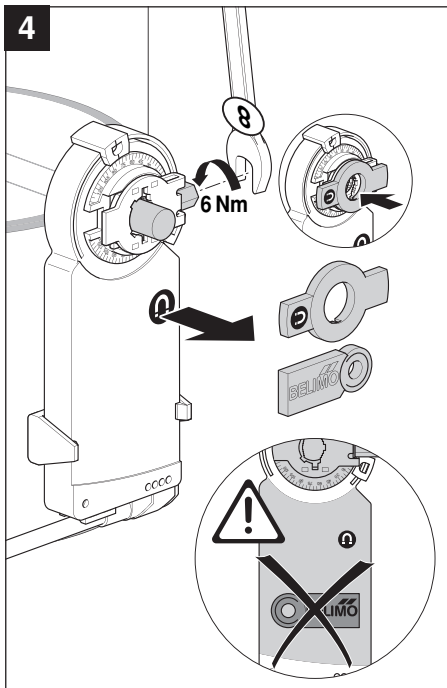
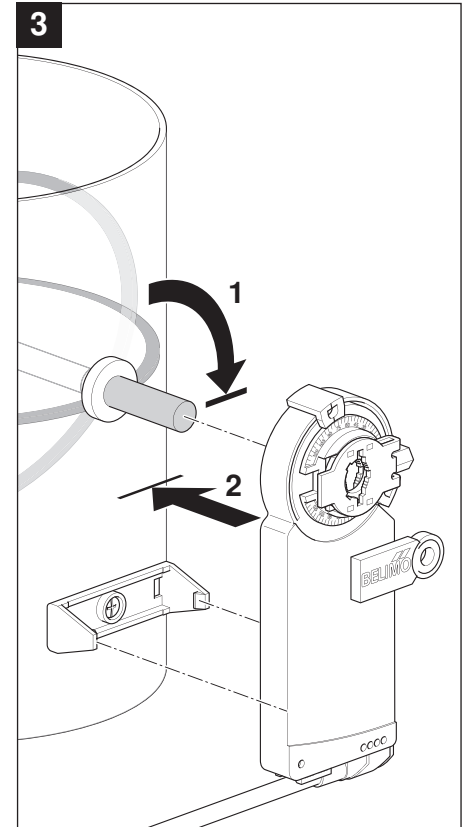
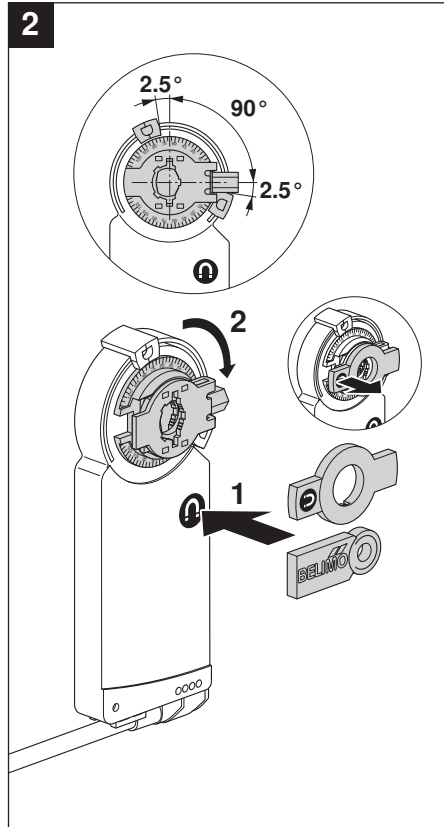
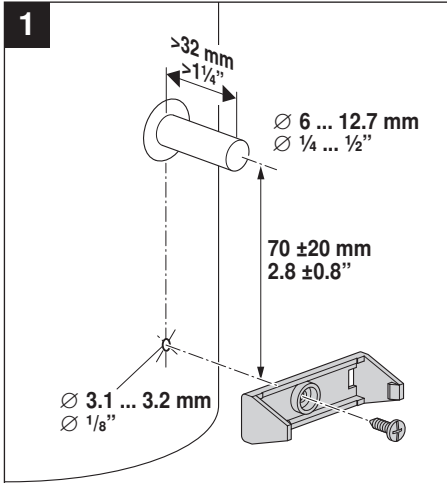
Dimensions [mm]

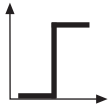
Dimensional drawings



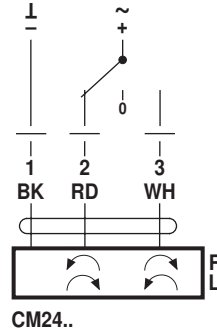
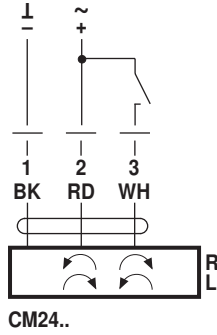
| Damper spindle | Length |  |
|----------------|--------|-------------------------------------------------------------------------------------|
| | ≥32 | 6 ... 12.7 |

70670-00002.D

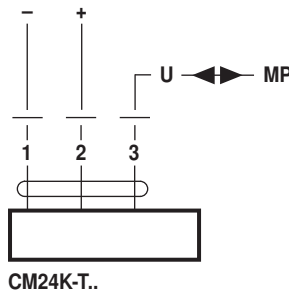




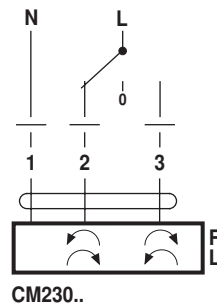
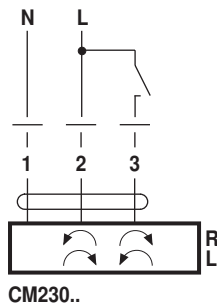
AC 24 V / DC 24 V



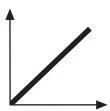
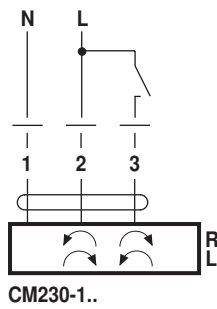
DC 24 V
(SKM230..)



AC 100 ... 240 V ⚠



AC 230 V ⚠



AC 24 V / DC 24 V

