

Terminal unit valves

V6W0000

DN15...20, PN16

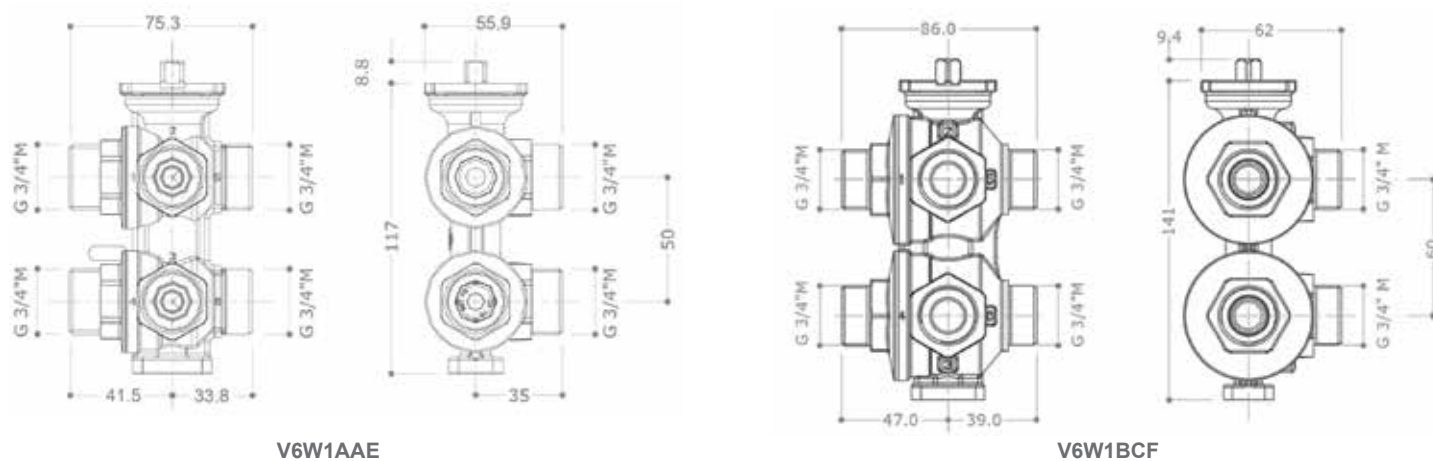
The V6W0000 line consists in six-way ball valves used for HVAC 4 pipes applications to automatically carry out the winter-summer change-over or, potentially, the control of radiant ceilings, fan coils and chilled beams.

Features

- ▶ No cross-flow between floating and cooling circuits.
- ▶ Different K_{VS} combination for an accurate and valuable control.
- ▶ Compact and economical solution.
- ▶ Changeable disk to select K_{VS} on site, avoiding any possible ordering mistakes.



Dimensions in mm



Ordering information

Codes	Body size	K_{VS} max	K_{VS} with disk	Connection
V6W1AAE	DN15	1.25	1 - 0.63 - 0.4 - 0.25	3/4" Male Flat ends
V6W1BCF	DN20	2.7	2.1 - 1.6 - 1.0 - 0.7	