

DAG1 / DAG2
 ON/OFF and Floating Actuators

Application

The **JOVENTA STANDARD** electric damper actuator series is designed to operate air dampers in ventilation and air conditioning systems. The compact design and universal adapter fitted with limitation of rotation angle make this JOVENTA actuator highly versatile.

Features

- ON/OFF and Floating control
- Load-independent running time
- Up to 5 actuators in parallel operation possible
- Plug-in terminal block connection
- Simple direct-mount with universal adapter on 10...20 mm Ø round axis or 10...16 mm square shaft
- 48 mm minimum damper shaft length
- Selectable direction of rotation
- Limitation of rotation angle
- Manual release button
- 2 adjustable auxiliary switches
- Automatic shut-off at end position (overload switch)
- Energy saving at end positions
- Actuators available with 1.0 m cable
- Customized versions available
- Devices meet CE requirements

Accessories

- ZK damper linkage selection
- ZKG ball joints


Technical Specifications

Actuator	DAG1...	DAG2...
Torque	32 Nm	32 Nm
Damper area*	6.0 m ²	6.0 m ²
Running Time OPEN	140 s	140 s
Running Time CLOSE	140 s	140 s
Supply Voltage	AC/DC 24 V	AC 230 V
Frequency	50-60 Hz	
Power Consumption		
- Running	4.0 W	5.5 W
- At end position	0.5 W	1.0 W
Dimensioning	3.0 VA / 3.4 A @ 2 ms	4.5 VA / 0.25 A @ 2 ms
Control Signal	ON/OFF or Floating	
Position Signal	Potentiometer 0.5 W / ±10%	
Angle of rotation/ Working range	90° (93° mech.)	
Angle of rotation/ Limitation	5°...85° in 5° < steps	
Auxiliary Switches	3(1.5) A, AC 230 V	
- S1 setting range	5°...85° < adjustable	
- S2 setting range		
Cable aperture connection	M16 x 1.5	
Life time	60.000 rotations	
Noise level	45 dB (A)	
Protection Class	II	
Degree of Protection	IP 54	
Mode of Action	Type 1	
Ambient conditions		
- Operating temperature	-20...+50 °C / IEC 721-3-3	
- Storage temperature	-30...+60°C / IEC 721-3-2	
- Humidity	5...95% r.F. no condensed	
Weight	1.1 Kg	1.2 Kg
Service	Maintenance-free	
Standards		
- Mechanics	EN 60 529 / EN 60 730-2-14	
- Electronics	EN 60 730-2-14	
- EMC Emissions	EN 50 081-1:92 / IEC 61000-6-3:96	
- EMC Immunity	EN 50 082-2:95 / IEC 61000-6-2:99	

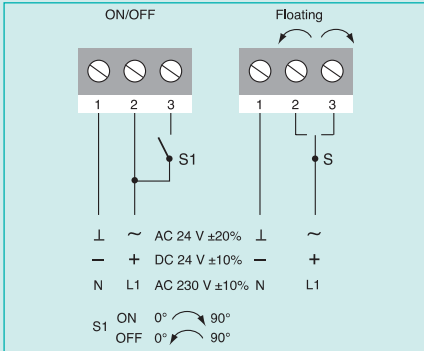
*Caution: Please note damper manufacturer's information concerning the open/close torque.

Ordering Codes

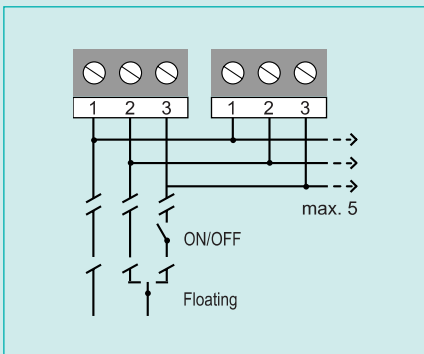
Codes	Descriptions
DAG	AC/DC 24 V
DAG1.S	AC/DC 24 V, with 2 auxiliary switches
DAG1.P1	AC/DC 24 V, with 1000 Ω feedback potentiometer
DAG1.P2	AC/DC 24 V, with 140 Ω feedback potentiometer
DAG1.P4	AC/DC 24 V, with 2000 Ω feedback potentiometer
DAG.2	AC/DC 24 V
DAG2.S	AC/DC 24 V, with 2 auxiliary switches
DAG2.P1	AC/DC 24 V, with 1000 Ω feedback potentiometer
DAG2.P2	AC/DC 24 V, with 140 Ω feedback potentiometer
DAG2.P4	AC/DC 24 V, with 2000 Ω feedback potentiometer

DAG1 / DAG2
ON/OFF and Floating Actuators

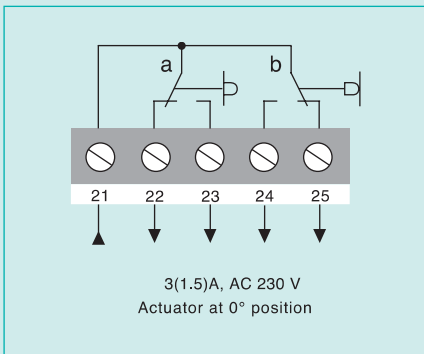
Wiring Diagrams



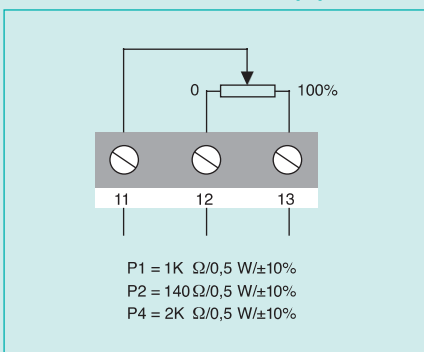
Parallel Connections



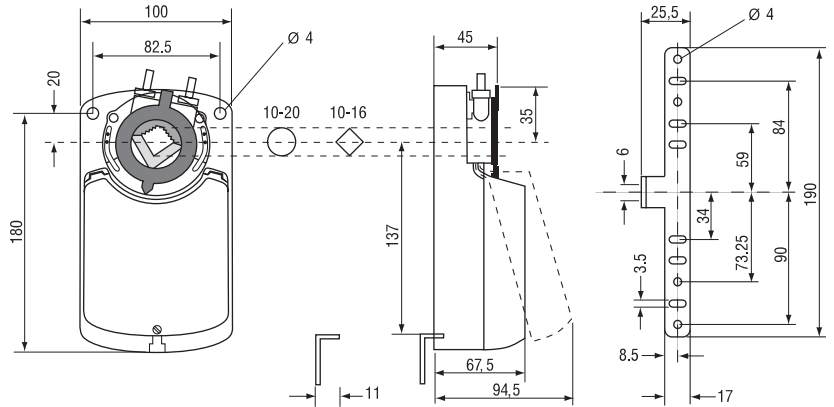
Auxiliary Switches (S)



Potentiometer (P)



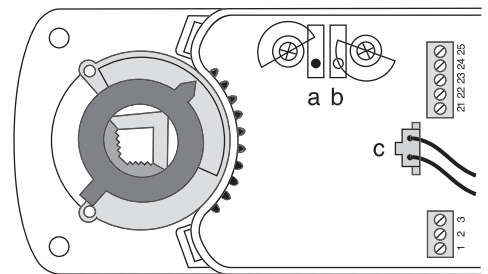
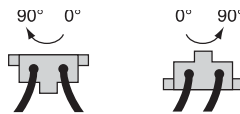
Dimensions in mm



Changing the direction of rotation

The direction of rotation can be changed by reversing plug **c**

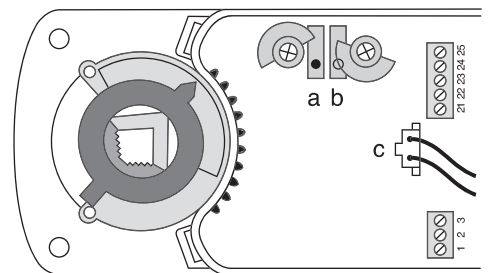
Factory setting:



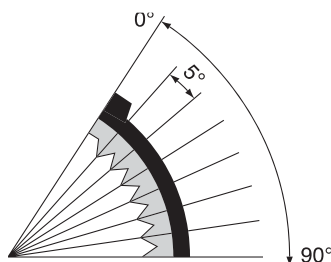
Setting the auxiliary switches

Factory setting
Switch **a** at 10°
Switch **b** at 80°

The switching position can be manually changed to any required position by turning the ratchet



Limitation of rotation angle



Adapter release

