

Floating and Proportional Controls

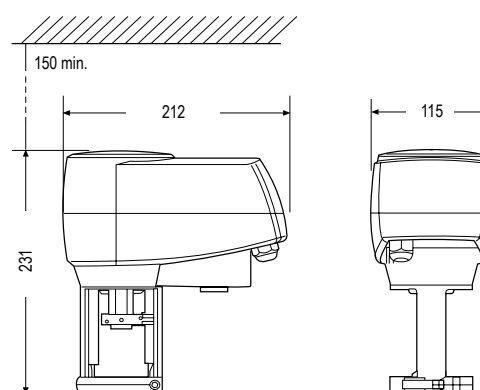
The VA78x0 spring return and non-spring return actuator with 1000 N thrust for valves in heating, ventilation and air conditioning applications is available for floating (3-point) control or proportional control. All models have manual override as standard and provide stroke capabilities of 7 mm to 25 mm. Proportional models are self-calibrating.

The actuator is intended for use with Johnson Controls VG7000 and VGS800 threaded valves as well as VG9000, VG8000 (H, N, V) and VG8300N&H flanged valves.

All valves should be fitted in accordance with the maximum close-off pressure ratings specified. Valve-actuators can be ordered as separate units or as a factory fitted valve / actuator combinations.

Features

- Proportional actuators are self calibrating
- All models can also be used as floating and ON/OFF actuators
- Force controlled motor shut-off
- Manual override as standard
- IP54 enclosure protection
- Delivered with fitted 1.5 m cable and wire terminals
- Status LED
- Models with optional aux. switches or 2 kΩ feedback potentiometer
- Control-Signal failure - stem to pre-determined position
- Stroke position indicator
- Spring return functions (VA7820 and VA7830 models)



Dimensions in mm

Mounting onto VG7000 Series Valves

Ordering Codes	Supply Voltage (50/60Hz)	Action Control	Force	Stroke	Full Stroke Time	Protection Class	Power Consumption	Spring Return Action	Accessories Factory mounted
VA-7810-ADA-11	230 VAC	ON/OFF or Floating	1000 N	25 mm	150 s	IP 54	8 VA	---	---
VA-7810-ADC-11									2 aux switches
VA-7810-AGA-11	24 VAC	ON/OFF or Floating	1000 N	25 mm	150 s	IP 54	3 VA	---	---
VA-7810-AGC-11									2 aux switches
VA-7810-AGH-11		ON/OFF, Floating or Proportional	1000 N	25 mm	150 s (selectable 75 s)	IP 54	6 VA	---	2 KΩ pot
VA-7810-GGA-11									---
VA-7810-GGC-11									2 aux switches

Floating or Proportional Controls

Mounting onto VB, BM Series Valves

Ordering Codes	Supply Voltage (50/60Hz)	Action Control	Force	Stroke	Full Stroke Time	Protection Class	Power Consumption	Spring Return Action	Accessories Factory mounted
VA-7810-GGA-11B	230 VAC	ON/OFF or Floating	1000 N	25 mm	150 s	IP 54	8 VA	---	---
VA-7810-GGC-11B									2 aux switches

Mounting onto VGS8000, VG8000 and VG9000 Series Valves

Ordering Codes	Supply Voltage (50/60Hz)	Action Control	Force	Stroke	Full Stroke Time	Protection Class	Power Consumption	Spring Return Action	Accessories Factory mounted
VA-7810-ADA-12	230 VAC	ON/OFF or Floating	1000 N	25 mm	150 s	IP 54	8 VA	---	---
VA-7810-ADC-12									2 aux switches
VA-7810-AGA-12	24 VAC	ON/OFF or Floating	1000 N	25 mm	150 s	IP 54	3 VA	---	---
VA-7810-AGC-12									2 aux switches
VA-7810-AGH-12		ON/OFF, Floating or Proportional	1000 N	25 mm	150 s (selectable 75 s)	IP 54	6 VA	---	2 KΩ pot
VA-7810-GGA-12									---
VA-7810-GGC-12	2 aux switches								

Mounting onto VG8000 and VGS9000 Series Valves

Ordering Codes	Supply Voltage (50/60Hz)	Action Control	Force	Stroke	Full Stroke Time	Protection Class	Power Consumption	Spring Return Action	Accessories Factory mounted
VA7820-GGA-11	24 VAC	ON/OFF, Floating or Proportional	1000 N	25 mm	150 s (selectable 75 s)	IP 54	11 VA	Actuator stem retracts	---
VA7820-GGC-11									2 aux switches
VA7830-GGA-11								Actuator stem extend	---
VA7830-GGC-11									2 aux switches

Mounting onto VGS8000, VG8000 and VG9000 Series Valves

Ordering Codes	Supply Voltage (50/60Hz)	Action Control	Force	Stroke	Full Stroke Time	Protection Class	Power Consumption	Spring Return Action	Accessories Factory mounted
VA7820-GGA-12	24 VAC	ON/OFF, Floating or Proportional	1000 N	25 mm	150 s (selectable 75 s)	IP 54	11 VA	Actuator stem retracts	---
VA7820-GGC-12									2 aux switches
VA7830-GGA-12								Actuator stem extend	---
VA7830-GGC-12									2 aux switches