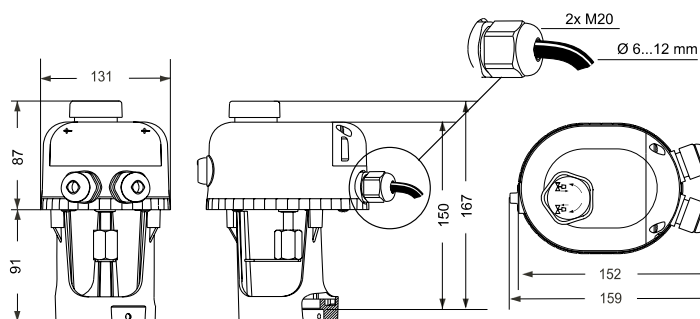


Floating and Proportional Controls

The VA-7700 series provides floating and proportional control and can be mounted onto VG7000, VGS800 and VG9000 valves.

Features

- 24 VAC and 230 VAC power supply
- Floating and proportional control
- Manual override
- LED operating status display
- Self calibrating
- IP54 enclosive protection



Dimensions in mm

Mounting onto VG7000 Series Valves

Ordering Codes	Supply Voltage (50/60Hz)	Action Control	Force	Stroke	Full Stroke Time	Protection Class	Power Consumption
VA-7700-1001	24 VAC	Floating	500 N	20 mm	190 s	IP 54	2.4 VA
VA-7700-1003	230 VAC						
VA-7740-1001	24 VAC						
VA-7740-1003	230 VAC						
VA-7706-1001	24 VAC	Proportional	500 N	20 mm	190 s	IP 54	4.4 VA
VA-7746-1001							

Mounting onto VGS8000 and VG9000 Series Valves

Ordering Codes	Supply Voltage (50/60Hz)	Action Control	Force	Stroke	Full Stroke Time	Protection Class	Power Consumption
VA-7700-8201	24 VAC	Floating	500 N	20 mm	190 s	IP 54	2.4 VA
VA-7700-8203	230 VAC						
VA-7740-8201	24 VAC						
VA-7740-8203	230 VAC						
VA-7706-8201	24 VAC	Proportional	500 N	20 mm	190 s	IP 54	4.4 VA
VA-7746-8201							